

# DH-SD42212T-HN

## 2MP 12x Starlight PTZ Network Camera



- 1/2.8" 2Megapixel STARVIS™ CMOS
- Powerful 12x optical zoom
- Support Triple-streams encoding
- Max. 25/30fps@1080P
- IVS
- Support PoE+
- IP66, IK10



### System Overview

Featuring powerful optical zoom and accurate pan/tilt/zoom performance, the camera provides a wide monitoring range and great detail. The camera delivers 1080P resolution at 25/30fps. The camera is equipped with smooth control, high quality image, and good protection, meeting compact size demands of video surveillance applications.

### Functions

#### Starlight Technology

For challenging low-light applications, Dahua's Starlight Ultra-low Light Technology offers best-in-class light sensitivity, capturing color details in low light down to 0.005 lux. The camera uses a set of optical features to balance light throughout the scene, resulting in clear images in dark environments.

#### Wide Dynamic Range

The camera achieves vivid images, even in the most intense contrast lighting conditions, using industry-leading wide dynamic range (WDR) technology. For applications with both bright and low lighting conditions that change quickly, True WDR (120 dB) optimizes both the bright and dark areas of a scene at the same time to provide usable video.

#### Smart H.265+

Smart H.265+ is the optimized implementation of the H.265 codec that uses a scene-adaptive encoding strategy, dynamic GOP, dynamic ROI, flexible multi-frame reference structure and intelligent noise reduction to deliver high-quality video without straining the network. Smart H.265+ technology reduces bit rate and storage requirements by up to 70% when compared to standard H.265 video compression.

#### PFA Technology

PFA technology has innovatively introduced new methods of judgment to ensure the accuracy and predictability of the direction of subject distance adjustment. The result is a set of advanced focusing algorithms. PFA ensures clarity of the image throughout the process of zooming and shortens focus time. The realization of PFA technology substantially improves user experience and increases product value.

#### Environmental

Dahua cameras operate in extreme temperature environments, rated for use in temperatures from -30 °C to +60 °C (-22 °F to +140°F) with 95% humidity. The camera complies with the IK10 Vandal Resistance impact rating. Subjected and certified to rigorous dust and water immersion tests, the IP66 rating makes it suitable for demanding outdoor applications.

#### Protection

The camera allows for ±10% input voltage tolerance, suitable for the unstable conditions for outdoor applications. Its 2KV lightning rating provides effective protection for both the camera and its structure against lightning.

#### Interoperability

The camera conforms to the ONVIF (Open Network Video Interface Forum) specifications, ensuring interoperability between network video products regardless of manufacturer.

## Technical Specification

### Camera

Image Sensor	1/2.8" STARVIS™ CMOS
Effective Pixels	1920(H) x 1080(V), 2 Megapixels
RAM/ROM	1024M/128M
Scanning System	Progressive
Electronic Shutter Speed	1/1s~1/30,000s
Minimum Illumination	Color: 0.005Lux@F1.6; B/W: 0.0005Lux@F1.6
IR Distance	N/A
IR On/Off Control	N/A
IR LEDs	N/A

### Lens

Focal Length	5.3mm~64mm
Max. Aperture	F1.6 ~ F4.4
Angle of View	H: 58.2° ~ 4.8°
Optical Zoom	12x
Focus Control	Auto/Manual
Close Focus Distance	100mm~ 1000mm

### DORI Distance

\*Note: The DORI distance is a "general proximity" of distance which makes it easy to pinpoint the right camera for your needs. The DORI distance is calculated based on sensor specification and lab test result according to EN 62676-4 which defines the criteria for Detect, Observe, Recognize and Identify respectively.

Detect	Observe	Recognize	Identify
883m(2897ft)	353m(1158ft)	177m(581ft)	88m(289ft)

### PTZ

Pan/Tilt Range	Pan: 0° ~ 360° endless; Tilt: -2° ~ 90°, auto flip 180°
Manual Control Speed	Pan: 0.1° ~ 300° /s; Tilt: 0.1° ~ 120° /s
Preset Speed	Pan: 300° /s; Tilt: 200° /s
Presets	300
PTZ Mode	5 Pattern, 8 Tour, Auto Pan ,Auto Scan
Speed Setup	Human-oriented focal Length/ speed adaptation
Power up Action	Auto restore to previous PTZ and lens status after power failure
Idle Motion	Activate Preset/ Scan/ Tour/ Pattern if there is no command in the specified period
Protocol	DH-SD

### Intelligence

Event Trigger	Motion detection, Video tampering, Network disconnection, IP address conflict, Illegal access, Storage anomaly
Auto Tracking	N/A
IVS	Tripwire, Intrusion, Abandoned/Missing

### Advanced Intelligent Functions

### Face Detection

### Video

Compression	H.265+/H.265/H.264+/H.264/MJPEG(Sub Stream)
Streaming Capability	3 Streams
Resolution	1080P(1920×1080)/720P(1280×720)/D1(704×576/704×480)/CIF(352×288/352×240)
Frame Rate	Main stream: 1080P/720P(1 ~ 25/30fps)
	Sub stream1: D1/CIF(1 ~ 25/30fps)
	Sub stream2: 720P/D1/CIF(1 ~ 25/30fps)
Bit Rate Control	CBR/VBR
Bit Rate	H.265/H.264: 448K ~ 8192Kbps
Day/Night	Auto(ICR) / Color / B/W
Backlight Compensation	BLC / HLC / WDR(120dB)
White Balance	Auto, ATW, Indoor, Outdoor, Manual
Gain Control	Auto / Manual
Noise Reduction	Ultra DNR (2D/3D)
Motion Detection	Support
Region of Interest	Support
Electronic Image Stabilization (EIS)	N/A
Defog	Support
Digital Zoom	16x
Flip	180°
Privacy Masking	Up to 24 areas

### Audio

Compression	G.711a/G.711Mu/G.726/AAC
-------------	--------------------------

### Network

Ethernet	RJ-45 (10XBase-T/100Base-TX)
Protocol	IPv4/IPv6, HTTP, HTTPS, SSL, TCP/IP, UDP, UPnP, ICMP, IGMP, SNMP, RTSP, RTP, SMTP, NTP, DHCP, DNS, PPPOE, DDNS, FTP, IP Filter, QoS, Bonjour, 802.1x
Interoperability	ONVIF Profile S&G, API
Streaming Method	Unicast / Multicast
Max. User Access	20 users
Edge Storage	NAS (Network Attached Storage), Local PC for instant recording, Micro SD card 256GB
Web Viewer	IE, Chrome, Firefox, Safari
Management Software	Smart PSS, DSS, DMSS
Smart Phone	IOS, Android

### Certifications

Certifications	CE: EN55032/EN55024/EN50130-4 FCC: Part15 subpartB, ANSI C63.4- 2014 UL: UL60950-1+CAN/CSA C22.2, No.60950-1
----------------	--

**Interface**

Video Interface	N/A
RS485	N/A
Audio I/O	1/1
Alarm I/O	2/1

**Electrical**

Power Supply	DC 24V/2.5A(±25%), PoE+(802.3at)
Power Consumption	12W

**Environmental**

Operating Conditions	-30°C ~ 60°C (-22°F ~ +140°F) / Less than 95% RH
Ingress Protection	IP66
Vandal Resistance	IK10

**Construction**

Casing	Metal
Dimensions	Φ170(mm)×155(mm)
Net Weight	1.8kg(3.97lb)
Gross Weight	3.3kg(7.28lb)

**Ordering Information**

Type	Part Number	Description
2MP PTZ Camera	DH-SD42212T-HN	2MP 12x Starlight PTZ Network Camera, WDR, PAL
	DH-SD42212TN-HN	2MP 12x Starlight PTZ Network Camera, WDR, NTSC
	SD42212T-HN	2MP 12x Starlight PTZ Network Camera, WDR, PAL
	SD42212TN-HN	2MP 12x Starlight PTZ Network Camera, WDR, NTSC
Accessories	PFB302S	Wall Mount
	PFA102	Mount Adapter
	DC24V/2.5A	Power Adapter
	PFB300C	Ceiling Mount
	PFA150	Pole Mount
	PFA151	Corner Mount

**Accessories**

Included:



DC24V/2.5A Power Adapter

Optional:



PFB302S Wall Mount



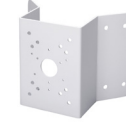
PFA102 Mount Adapter



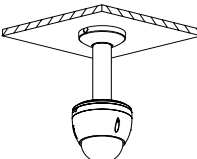
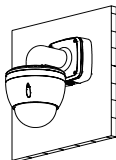
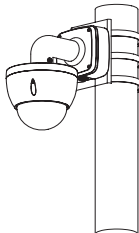
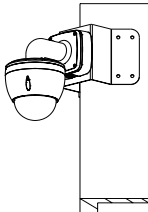
PFB300C Ceiling Mount



PFA150 Pole Mount



PFA151 Corner Mount

Ceiling Mount	Wall Mount
PFA102 + PFB300C	PFA102 + PFB302S
	
Pole Mount	Corner Mount
PFA102 + PFB302S + PFA150	PFA102 + PFB302S + PFA151
	

**Dimensions (mm)**

